

Changzhou Modar Intelligent Technology Co.,Ltd

Xunheng Network, 3th floor, E-commerce Park, No.51 Zhulin West Road, Tianning district, Changzhou, Jiangsu, China, 213000

42mm Brushless DC Motor

Environmental conditons:	-10°C~40°C
Magnet material:	Bonder NdfеB
Number of poles/phase:	8/3
Insulation Class:	B

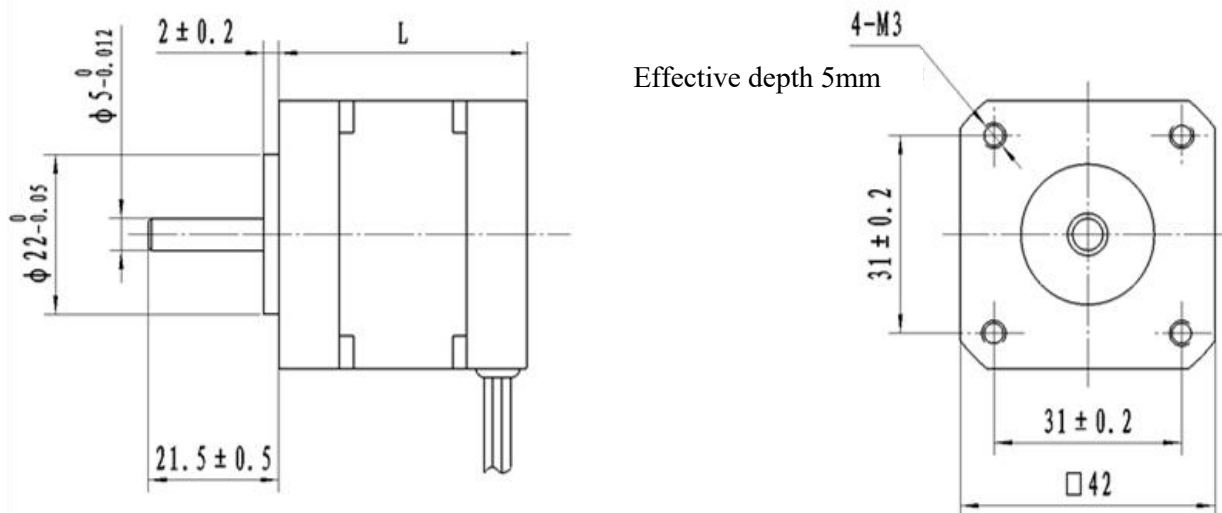


Electrical Specifications

Model	Voltage	RATED LOAD				Torque constant	Peak Torque	Back EMF constant	Rotor inertia	Body Length	Weight
		speed	Torque	Current	Power						
Model	V	rpm	Nm	A	W	N.M/A	Nm	V/kRPM	kg.mm2	L:mm	Kg
42BL20-240	24	4000	0.063	1.65	26	0.035	0.185	3.17	4.6	41	0.3
42BL40-240	24	4000	0.125	3.3	52	0.041	0.38	3.13	9.5	61	0.47
42BL60-240	24	4000	0.185	5	78	0.042	0.55	3.28	13.5	81	0.65
42BL80-240	24	4000	0.25	6.6	104	0.043	0.75	3.31	20	101	0.84

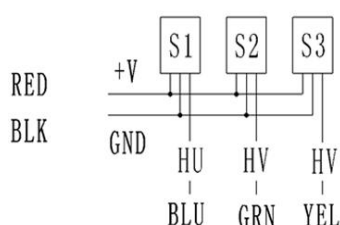
★We also manufacture products according to customer's requirements.

Mechanical Dimensions

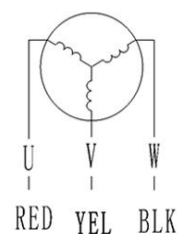


Wiring Diagram

Hall Wiring Diagram



Winding Diagram



Changzhou Modar Intelligent Technology Co.,Ltd

Xunheng Network, 3th floor, E-commerce Park, No.51 Zhulin West Road, Tianning district, Changzhou, Jiangsu, China, 213000

42mm Brushless DC Motor

Environmental conditons:	-10°C~40°C
Magnet material:	Sintered NdfеB
Number of poles/phase:	8/3
Insulation Class:	B

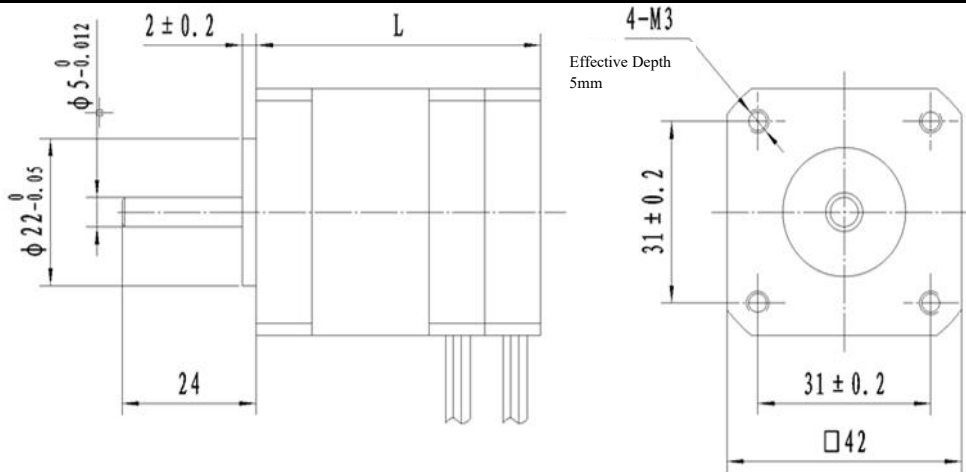


Electrical Specifications

Model	Voltage	RATED LOAD				Peak Torque	Torque constant	V/kRPM	Rotor inertia	Body Length	Mass
		speed	Torque	Current	Power						
Model	V	rpm	Nm	A	W	Nm	N.M/A	V/kRPM	kg.mm2	L:mm	Kg
42BL53-230	24	3000	0.1	1.8	32	0.3	0.055	3.3	3.6	53	0.35
42BL73-230	24	3000	0.2	3.5	63	0.6	0.057	3.3	6.8	73	0.55
42BL93-230	24	3000	0.3	5.2	95	0.9	0.058	3.4	10.8	93	0.75

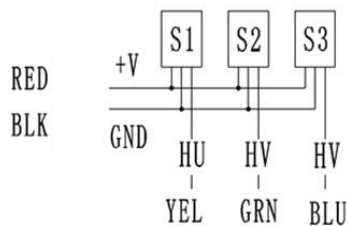
★We also manufacture products according to customer's requirements.

Mechanical Dimensions

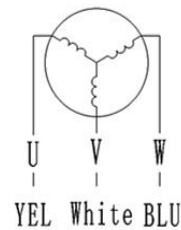


Wiring Diagram

Hall Wiring Diagram



Winding Diagram



Changzhou Modar Intelligent Technology Co.,Ltd

Xunheng Network, 3th floor, E-commerce Park, No.51 Zhulin West Road, Tianning district, Changzhou, Jiangsu, China, 213000

57mm Brushless DC Motor

Environmental conditons:	-10°C~40°C
Magnet material:	Bonder NdfеB
Number of poles/phase:	4/3
Insulation Class:	B

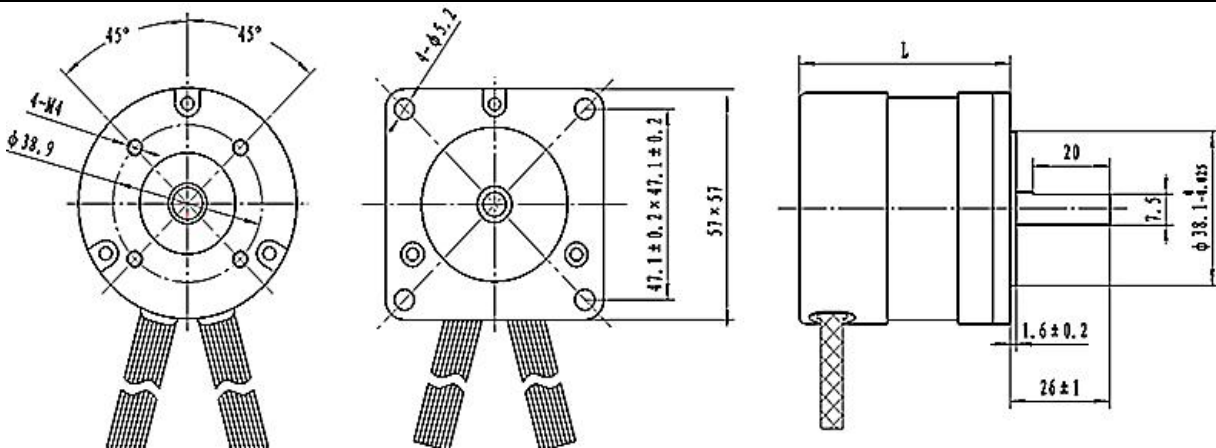


Electrical Specifications

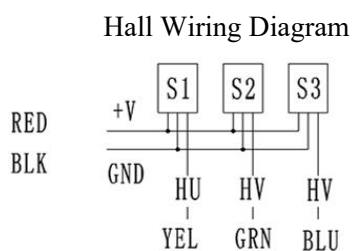
Model	Voltage	RATED LOAD				Peak Torque	Torque constant	V/kRPM	Rotor inertia	Body Length	Mass
		speed	Torque	Current	Power						
Model	V	rpm	Nm	A	W	Nm	N.M/A	V/kRPM	kg.mm2	L:mm	Kg
57BL45-230	24	3000	0.055	1.16	17	0.165	0.052	4	3.2	45	0.33
57BL55-230	24	3000	0.11	2.4	35	0.33	0.06	4.22	7.5	55	0.44
57BL75-230	24	3000	0.22	4.8	70	0.66	0.06	4.27	11.9	75	0.75
57BL95-230	24	3000	0.33	6.6	105	0.99	0.063	4.27	17.3	95	1
57BL115-230	24	3000	0.44	8.6	140	1.32	0.063	4.29	23	115	1.25

★We also manufacture products according to customer's requirements.

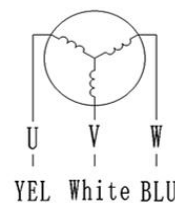
Mechanical Dimension



Wiring Diagram



Winding Diagram



Changzhou Modar Intelligent Technology Co.,Ltd

Xunheng Network, 3th floor, E-commerce Park, No.51 Zhulin West Road, Tianning district, Changzhou, Jiangsu, China, 213000

57mm High Performance BLDC Motor

Environmental conditons:	-10°C~40°C
Magnet material:	Sintered NdfeB
Number of poles/phase:	4/3
Insulation Class:	B

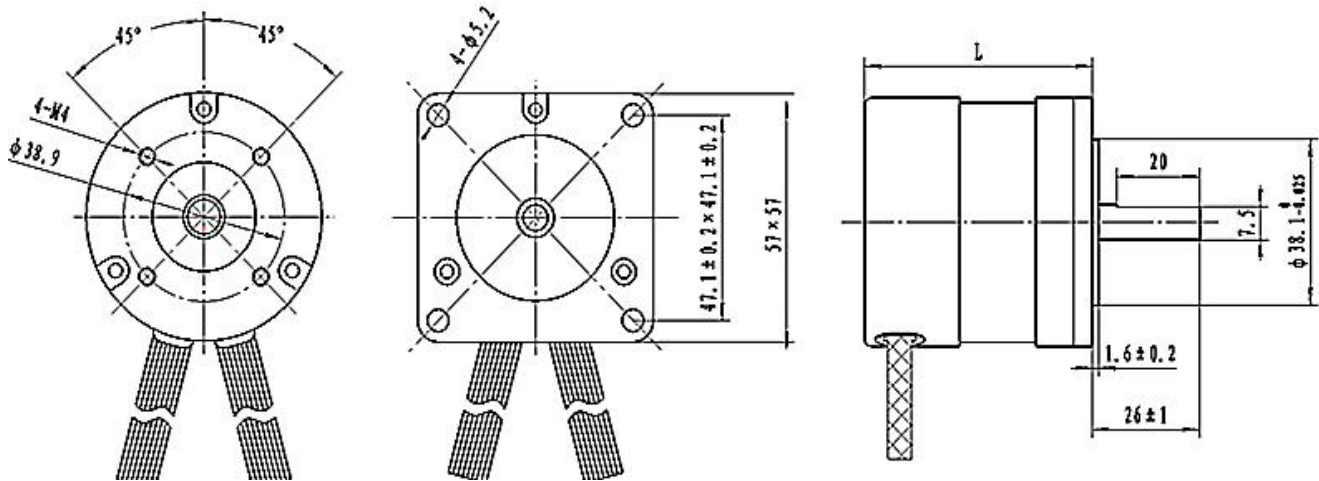


Electrical Specifications

Model	Voltage	RATED LOAD				Peak Torque	Torque constant	V/kRPM	Rotor inertia	Body Length	Mass
		speed	Torque	Current	Power						
Model	V	rpm	Nm	A	W	Nm	N.M/A	V/kRPM	kg.mm2	L:mm	Kg
57BLF20S	24	3000	0.2	3.3	63	0.6	0.063	4.50	8.5	55	0.48
57BLF40S	24	3000	0.4	6.6	125	1.2	0.064	4.52	13.48	75	0.79
57BLF60S	24	3000	0.6	10	188	1.8	0.064	4.54	21.38	95	1.1
57BLF80S	48	3000	0.8	7	250	2.4	0.064	4.56	29.38	115	1.41

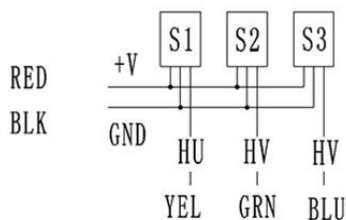
★We also manufacture products according to customer's requirements.

Mechanical Dimensions

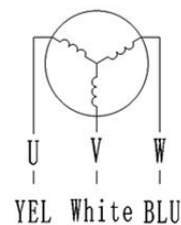


Wiring Diagram

Hall Wiring Diagram



Winding Diagram



Changzhou Modar Intelligent Technology Co.,Ltd

Xunheng Network, 3th floor, E-commerce Park, No.51 Zhulin West Road, Tianning district, Changzhou, Jiangsu, China, 213000

60mm Brushless DC Motor



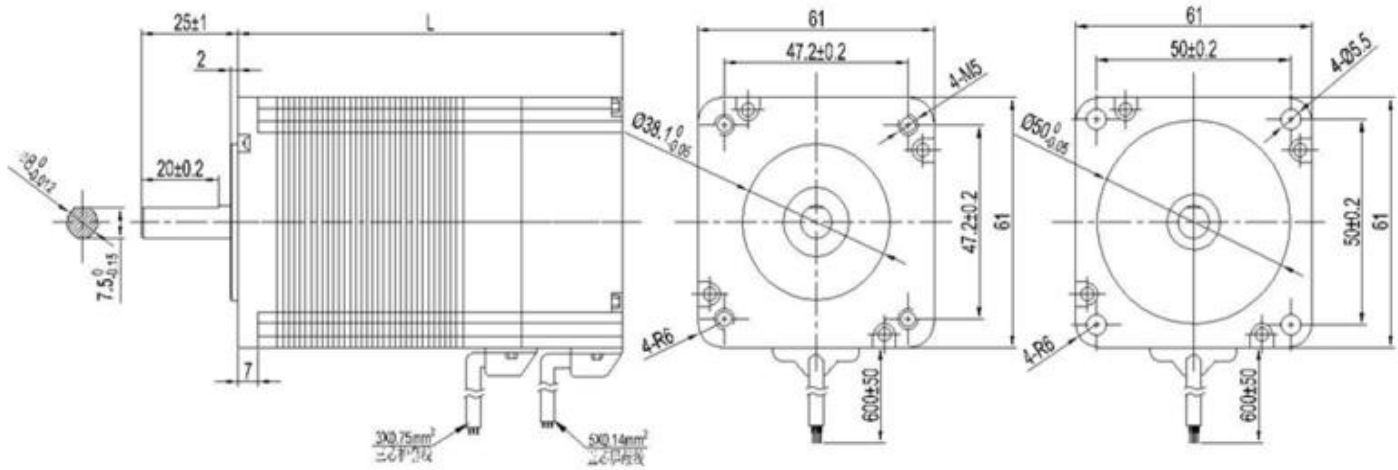
Environmental conditons:	-10°C~40°C
Magnet material:	Sintered NdfеB
Number of poles/phase:	8/3
Insulation Class:	B

Electrical Specifications

Model	Voltage	RATED LOAD				Peak Torque	Torque constant	V/kRPM	Rotor inertia	Body Length	Mass
		speed	Torque	Current	Power						
Model	V	rpm	Nm	A	W	Nm	N.M/A	V/kRPM	kg.mm2	L:mm	Kg
60BL78-430	48	3000	0.32	3	100	0.96	0.114	8.93	24	78	0.85
60BL99-430	48	3000	0.65	6	200	1.95	0.122	8.93	48	99	1.25
60BL120-430	48	3000	0.95	8.8	300	2.85	0.126	8.93	72	120	1.65
60BL140-430	48	3000	1.27	11.5	400	3.81	0.127	8.93	96	140	2.05

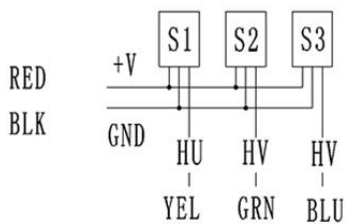
★We also manufacture products according to customer's requirements.

Mechanical Dimensions

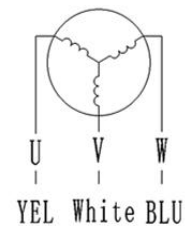


Wiring Diagram

Hall Wiring Diagram



Winding Diagram



Changzhou Modar Intelligent Technology Co.,Ltd

Xunheng Network, 3th floor, E-commerce Park, No.51 Zhulin West Road, Tianning district, Changzhou, Jiangsu, China, 213000

70mm Brushless DC Motor



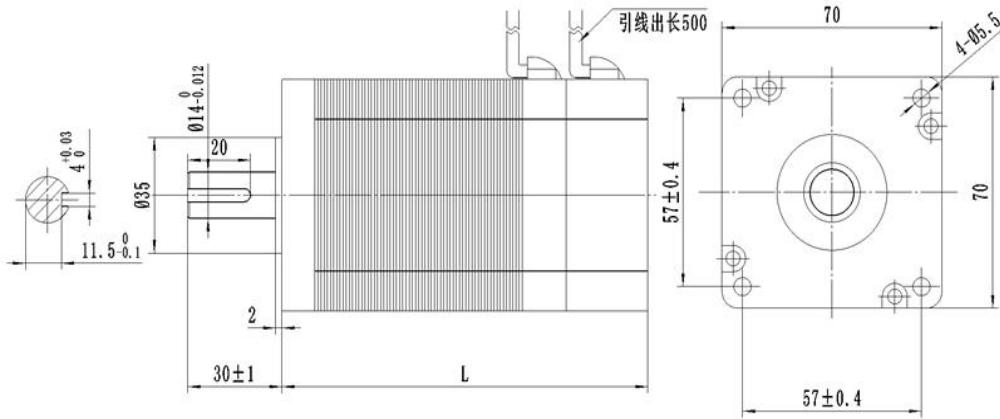
Environmental conditons:	-10°C~40°C
Magnet material:	Sintered NdfеB
Number of poles/phase:	8/3
Insulation Class:	B

Electrical Specifications

Model	Voltage	RATED LOAD				Peak Torque	Torque constant	V/kRPM	Rotor inertia	Body Length	Mass
		speed	Torque	Current	Power						
Model	V	rpm	Nm	A	W	Nm	N.M/A	V/kRPM	kg.mm2	L:mm	Kg
70BL86-230	24	3000	0.5	8.8	157	1.5	0.056	4.6	55	86	1.3
70BL86-430	48	3000	0.5	4.4	157	1.5	0.115	9.17	55	86	1.3
70BL116-230	24	3000	1	17.6	314	3	0.056	4.5	110	116	2.1
70BL116-430	48	3000	1	8.8	314	3	0.115	9.1	148	116	2.1
70BL120-430	48	3000	1.5	13.1	471	4.5	0.115	9.1	148	136	2.8

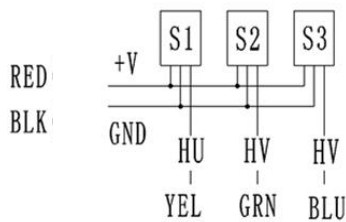
★We also manufacture products according to customer's requirements.

Mechanical Dimensions

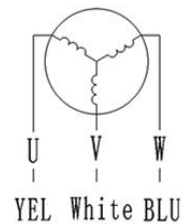


Wiring Diagram

Hall Wiring Diagram



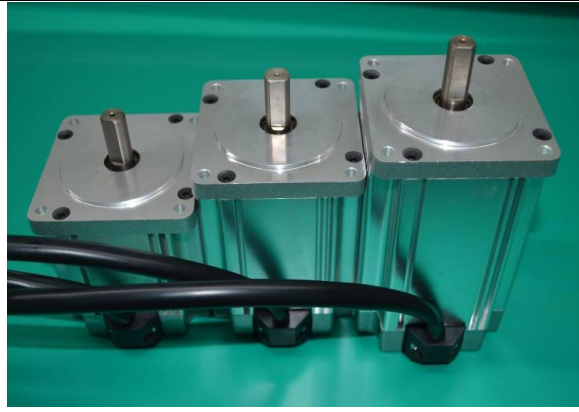
Winding Diagram



Changzhou Modar Intelligent Technology Co.,Ltd

Xunheng Network, 3th floor, E-commerce Park, No.51 Zhulin West Road, Tianning district, Changzhou, Jiangsu, China, 213000

80mm Brushless DC Motor



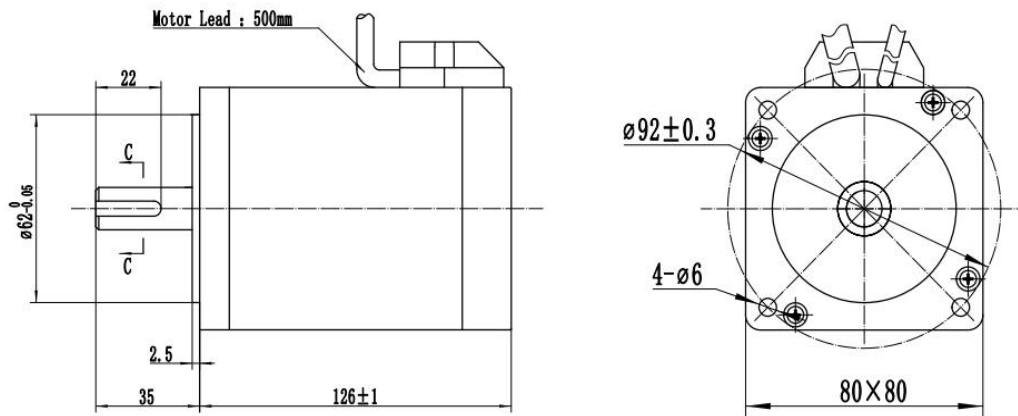
Environmental conditons:	-10°C~40°C
Magnet material:	Sintered NdfeB
Number of poles/phase:	4/3
Insulation Class:	B

Electrical Specifications

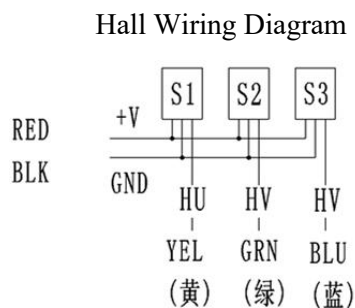
Model	Voltage	RATED LOAD				Peak Torque	Torque constant	V/kRPM	Rotor inertia	Body Length	Mass
		speed	Torque	Current	Power						
Model	V	rpm	Nm	A	W	Nm	N.M/A	V/kRPM	kg.mm2	L:mm	Kg
80BL86-430	48	3000	0.4	3.2	126	1.2	0.126	9.1	39	86	1.5
80BL106-430	48	3000	0.7	5.5	220	2.1	0.127	9	53	106	2.1
80BL106-660	310	6000	0.7	1.7	440	2.1	0.4	31	53	106	2.1
80BL126-430	48	3000	1.27	10	400	3.81	0.127	8.7	65	126	2.7
80BL126-450	48	5000	1.27	17	665	3.81	0.076	5.1	65	126	2.7
80BL126-630	310	3000	1.27	1.6	400	3.81	0.82	55	65	126	2.7
80BLF100-430	48	3000	1.27	11	400	3.81	0.115	8.4	53	100	2.1
80BLF100-445	48	4500	0.85	11	400	2.55	0.077	5.6	53	100	2.1
80BLF110-430	48	3000	1.6	14	500	4.8	0.114	8.4	66	110	2.6
80BLF110-445	48	4500	1.06	13.5	500	3.18	0.078	5.6	66	110	2.6
80BLF115-630	310	3000	1.75	2.3	550	5.25	0.76	55	73	110	2.7
80BLF130-630	310	3000	2.38	3.2	750	7.14	0.74	55	99	130	3.3
80BLF130-615	310	1500	3.5	2.4	550	10.5	1.45	95	99	130	3.3

★We also manufacture products according to customer's requirements.

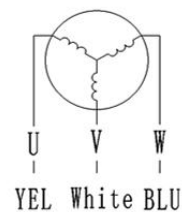
Mechanical Dimensions



Wiring Diagram



Winding Diagram



Changzhou Modar Intelligent Technology Co.,Ltd

Xunheng Network, 3th floor, E-commerce Park, No.51 Zhulin West Road, Tianning district, Changzhou, Jiangsu, China, 213000

86mm Brushless DC Motor



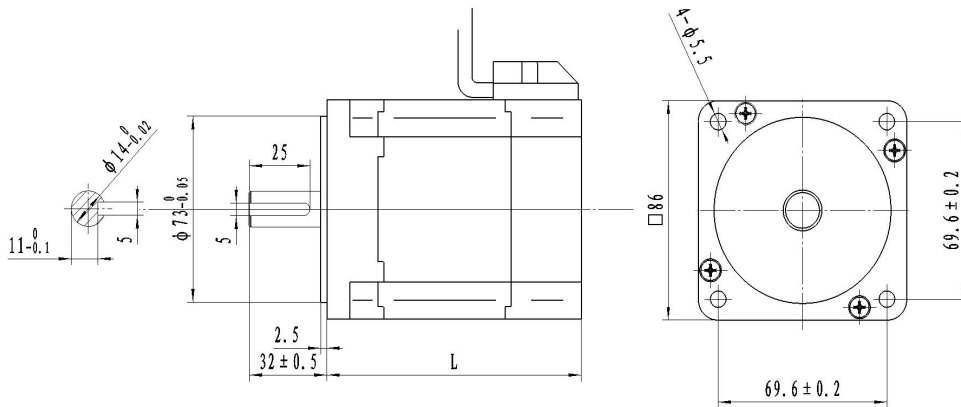
Environmental conditons:	-10°C~40°C
Magnet material:	Sintered NdfеB
Number of poles/phase:	4/3
Insulation Class:	B

Electrical Specifications

Model	Voltage	RATED LOAD				Peak Torque	Torque constant	V/kRPM	Rotor inertia	Body Length	Mass
		speed	Torque	Current	Power						
Model	V	rpm	Nm	A	W	Nm	N.M/A	V/kRPM	kg.mm2	L:mm	Kg
86BL80-430	48	3000	1	8.5	314	3	0.133	9.8	120	80	2.2
86BL90-430	48	3000	1.27	10.8	400	3.81	0.133	9.8	160	90	2.6
86BL105-430	48	3000	1.8	14.8	565	5.4	0.133	9.8	220	105	3.4
86BL115-430	48	3000	2.1	18	659	6.3	0.133	9.7	260	115	3.8
86BL130-430	48	3000	2.5	19.5	785	7.5	0.138	10.2	320	130	4.3
86BL130-630	310	3000	2.5	3.3	785	7.5	0.8	62	320	130	4.3

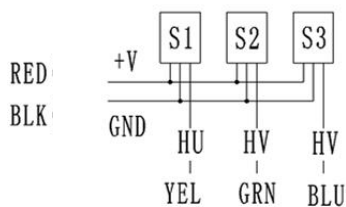
★We also manufacture products according to customer's requirements.

Mechanical Dimensions

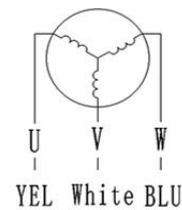


Wiring Diagram

Hall Wiring Diagram



Winding Diagram



Changzhou Modar Intelligent Technology Co.,Ltd

Xunheng Network, 3th floor, E-commerce Park, No.51 Zhulin West Road, Tianning district, Changzhou, Jiangsu, China, 213000

90mm Brushless DC Motor



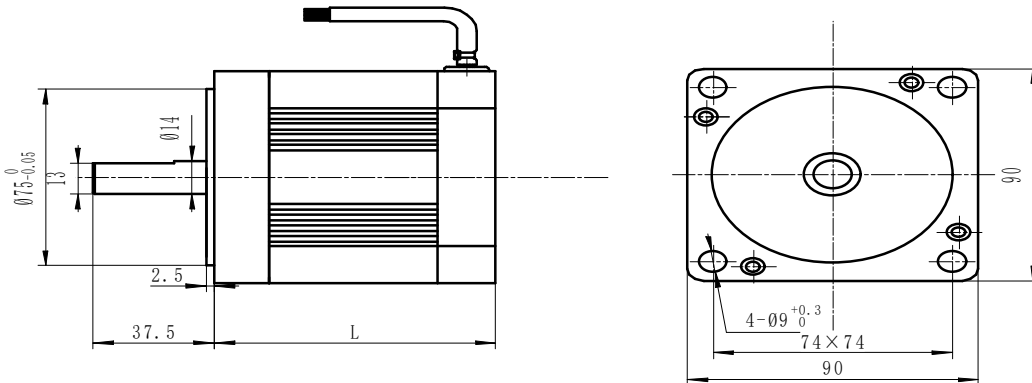
Environmental conditons:	-10°C~40°C
Magnet material:	Sintered NdfеB
Number of poles/phase:	4/3
Insulation Class:	B

Electrical Specifications

Model	Voltage	RATED LOAD				Peak Torque	Torque constant	V/kRPM	Rotor inertia	Body Length	Mass
		speed	Torque	Current	Power						
Model	V	rpm	Nm	A	W	Nm	N.M/A	V/kRPM	kg.mm2	L:mm	Kg
90BL87-430	48	3000	1	8.5	314	3	0.133	9.8	120	87	2.3
90BL97-430	48	3000	1.27	10.8	400	3.81	0.133	9.8	160	97	2.7
90BL112-430	48	3000	1.8	14.8	565	5.4	0.133	9.8	220	112	3.5
90BL122-430	48	3000	2.1	18	659	6.3	0.133	9.7	260	122	3.9
90BL137-430	48	3000	2.5	19.5	785	7.5	0.138	10.2	320	137	4.4
90BL137-630	310	3000	2.5	3.3	785	7.5	0.8	62	320	137	4.4

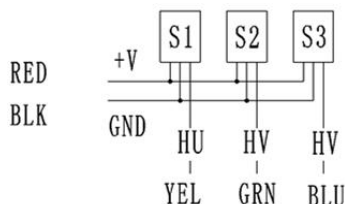
★We also manufacture products according to customer's requirements.

Mechanical Dimensions

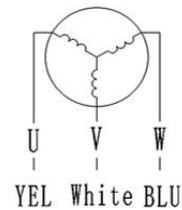


Wiring Diagram

Hall Wiring Diagram



Winding Diagram



Changzhou Modar Intelligent Technology Co.,Ltd

Xunheng Network, 3th floor, E-commerce Park, No.51 Zhulin West Road, Tianning district, Changzhou, Jiangsu, China, 213000

110mm Brushless DC Motor



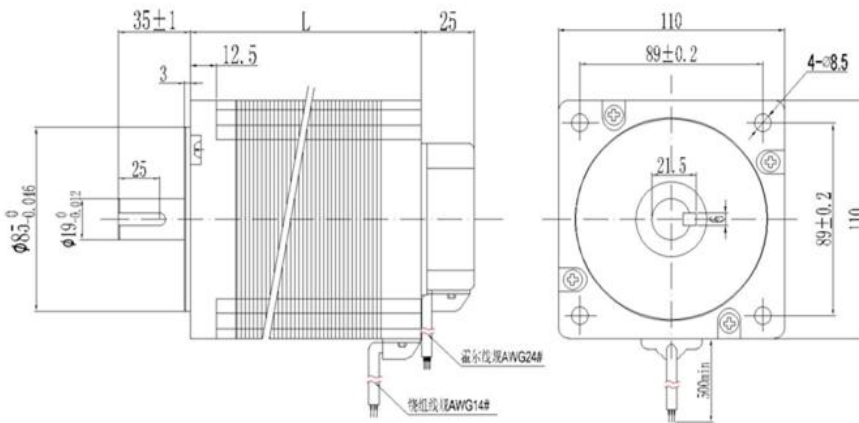
Environmental conditons:	-10°C~40°C
Magnet material:	Sintered NdfеB
Number of poles/phase:	8/3
Insulation Class:	B

Electrical Specifications

Model	Voltage	RATED LOAD				Peak Torque	Torque constant	V/kRPM	Rotor inertia	Body Length	Mass
		speed	Torque	Current	Power						
Model	V	rpm	Nm	A	W	Nm	N.M/A	V/kRPM	kg.mm2	L:mm	Kg
110BL110-430	48	3000	3.2	28	1000	9.6	0.12	8.4	730	110	4.5
110BL110-630	310	3000	3.2	4.2	1000	9.6	0.79	55	730	110	4.5
110BL140-430	48	3000	4.8	42	1500	14.4	0.12	8.5	1100	140	5.5
110BL140-630	310	3000	4.8	6.3	1500	14.4	0.79	55	1100	140	5.5
110BL170-630	310	3000	6.4	8.4	2000	19.2	0.79	55	1460	170	7
110BL230-630	310	3000	9.6	12.6	3000	28.8	0.76	55	2200	230	9

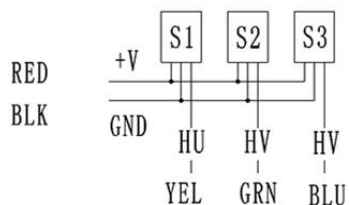
★We also manufacture products according to customer's requirements.

Mechanical Dimensions



Wiring Diagram

Hall Wiring Diagram



Winding Diagram

